

Model		400	600
Spindle			
Spindle type		Built-in	
Spindle taper		ISO 40 (HSK-A63)	
Spindle speed	r.p.m	12000 (15000)	
Travel			
X/Y/Z	mm	1100/600/730	1250/700/700
B axis		+120°~-120°	
C axis		0.001°(360) °	
Spindle nose to table surface	mm	-80~650	-85~615
ATC			
Tool magazine capacity		24(30,36)	
Tool shank		ISO 40 (HSK-A63)	
Max. Tool length(mm)	mm	300	
Max. Tool diameter(mm)	mm	24T/30T (75/150) 36T (65/130)	
Max. Tool weight (kgs)	kgs	7	
Rapid speed			
X/Y/Z	m/min	30/30/24(36/36/30,48/48/30)	
Cutting feedrate	m/min	12	
B/C axis			
C axis table size	mm	400	600
X axis table T-Slot	mm x No.m	18x3x100	18x5x100
C axis speed	rev/min	130	100
B axis speed	r.p.m	50	50
C axis Max load (kgs)		500	850
Others			
Machine Dimension L x W x H	mm	3660x3160x3300	3960x3160x3300
Machine weight	Net/kgs	6700	8000
Coolant tank capacity	liters	400	450
Pneumatic supply	kg/cm ²	4-6	4-6

■ Description in () are optional accessories. ■ We reserve the right to modify the design and specification without notice in advance.
Above specifications are for reference only. Correct specifications are based on actual machine.

Standard Accessories:

- 12000 built-in
- Fully enclosed guard
- Auto air blow
- Cabinet heat exchanger
- Auto power off
- Rigid tapping
- Chip screw
- Level kit
- Auto lubrication
- Work lamp
- Air gun
- Water gun

Optional Accessories:

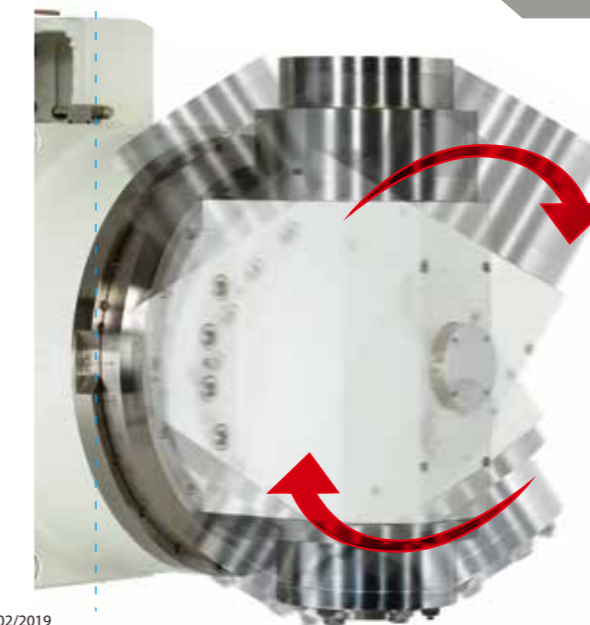
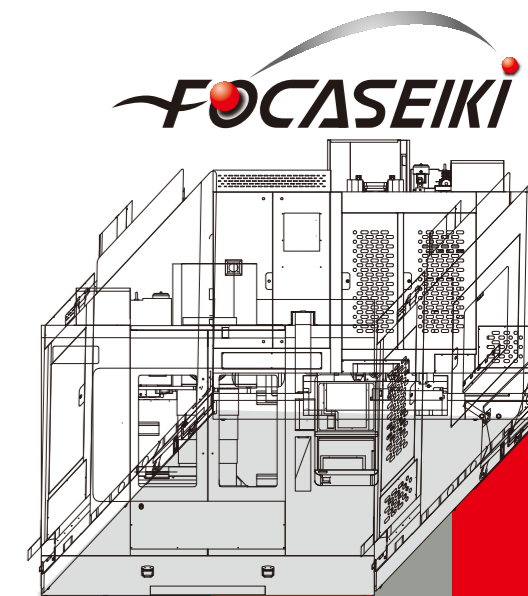
- Controller SIEMENS, MITSUBISHI, FANUC, HEIDENHAIN, FAGOR
- Transformer
- Chip conveyor
- Tool length measurement & work piece measurement system
- Linear scale
- C.T.S
- Magazine 30,36(tools)



FOCUS SEIKI CORP

No.178, Guangqi Rd., Shengang Dist.,
Taichung City 42948 Taiwan
Tel: +886-4-2561-2611
Fax: +886-4-2561-1613
E-mail: sales@focaseiki.com.tw
www.focaseiki.com.tw

5 AXIS SWIVEL HEAD WITH C AXIS (Simultaneous)



5 AXIS SWIVEL HEAD WITH C AXIS
(Simultaneous)

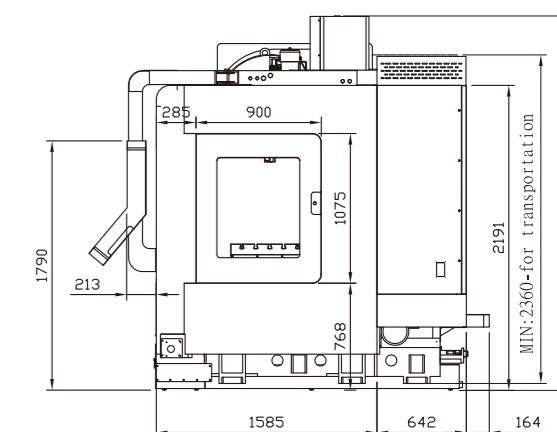
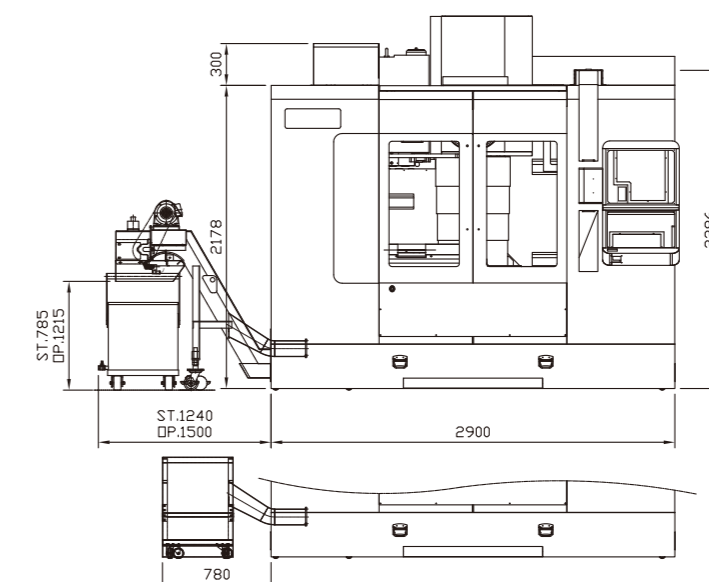
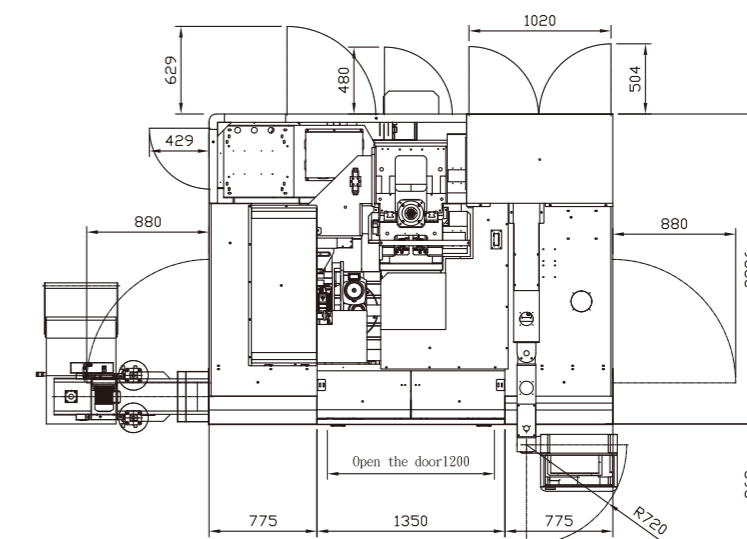
Vertical Type Swivel Head With C Axis

- 5 Axis Control Vertical Machining Center
- Rotary Table And Standard T-slot Table On The Same Plane.
Direct Drive C Axis With High Position Accuracy (With Heidenhain Encoder 5"/arc)
- Direct Drive Swivel Head With Heidenhain Encoder High Position 0.005mm
- Swivel Head (B axis) And Rotary Table (C axis) Both With Heidenhain Encoder 5"/arc, And 0.001° Minimum Position
- Turning Function As Option

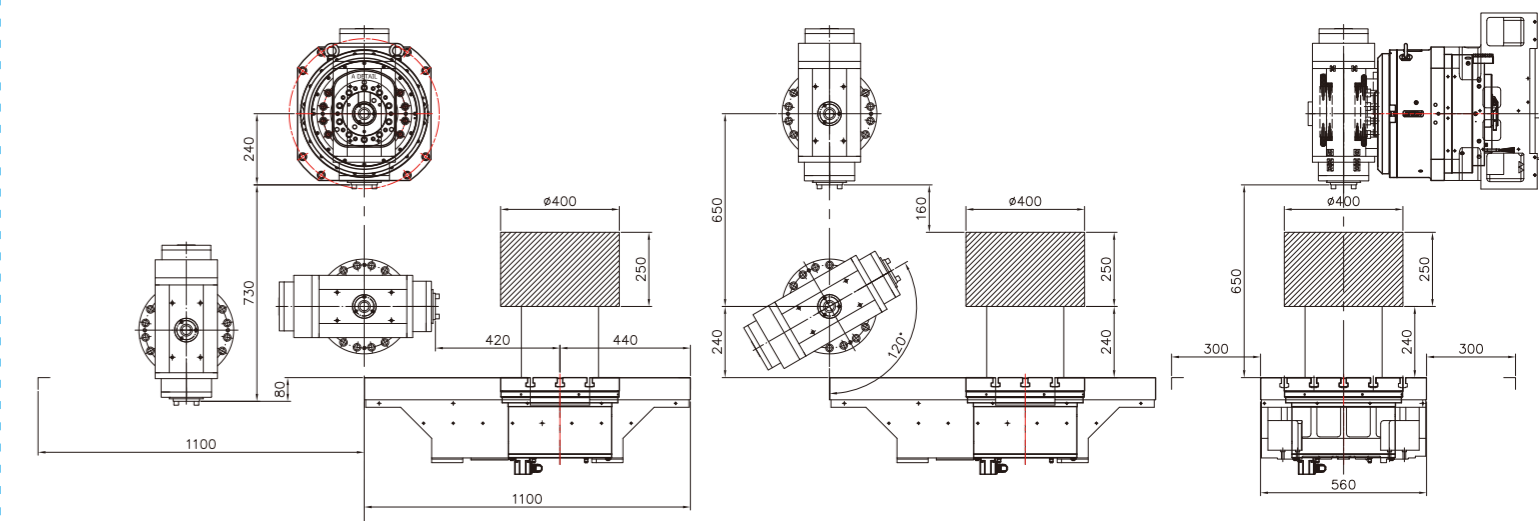


- Four Slide Way On Base (Y axis)
- X/Y/Z Axis Rapid Traverse 24 m/min (Option: 30,36,48)
- HQ-Container Packing (Lower Shipping Cost)
- Built-in Spindle 19kw
- Reservoir-Type Lubricator Bronze Tube Oil Circuit

Layout and workspace



Interference



Direct drive swivel head (with encoder 5"/arc)



Direct drive C axis (with encoder 5"/arc)



Siemens Controller 840 D



Heidenhain Controller 640 Touch