

# Small Footprint Big Cutting Capacity

1000mm Y Axis Travel

## FOCUS SEIKI CORP

No.11, Lane 181, Da Ming Road,  
Shengang Dist., Taichung City,  
42949 Taiwan

Tel: +886-4-2529-5611

Fax: +886-4-2529-5613

E-mail: [sales@focuseiki.com.tw](mailto:sales@focuseiki.com.tw)

[www.focuseiki.com.tw](http://www.focuseiki.com.tw)

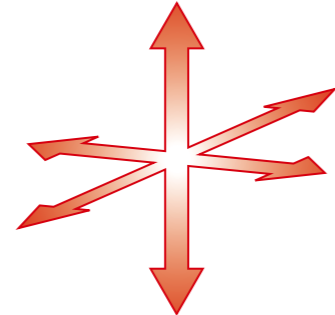
Vertical Machining Center

- X/Y/Z Rapid Traverse 30/30/24 m/min (Option 36/36/30 m/min)
- HQ-Container Ocean Packing (Lowest Shipping Fee)
- Direct Type Spindle Motor Cooling Device

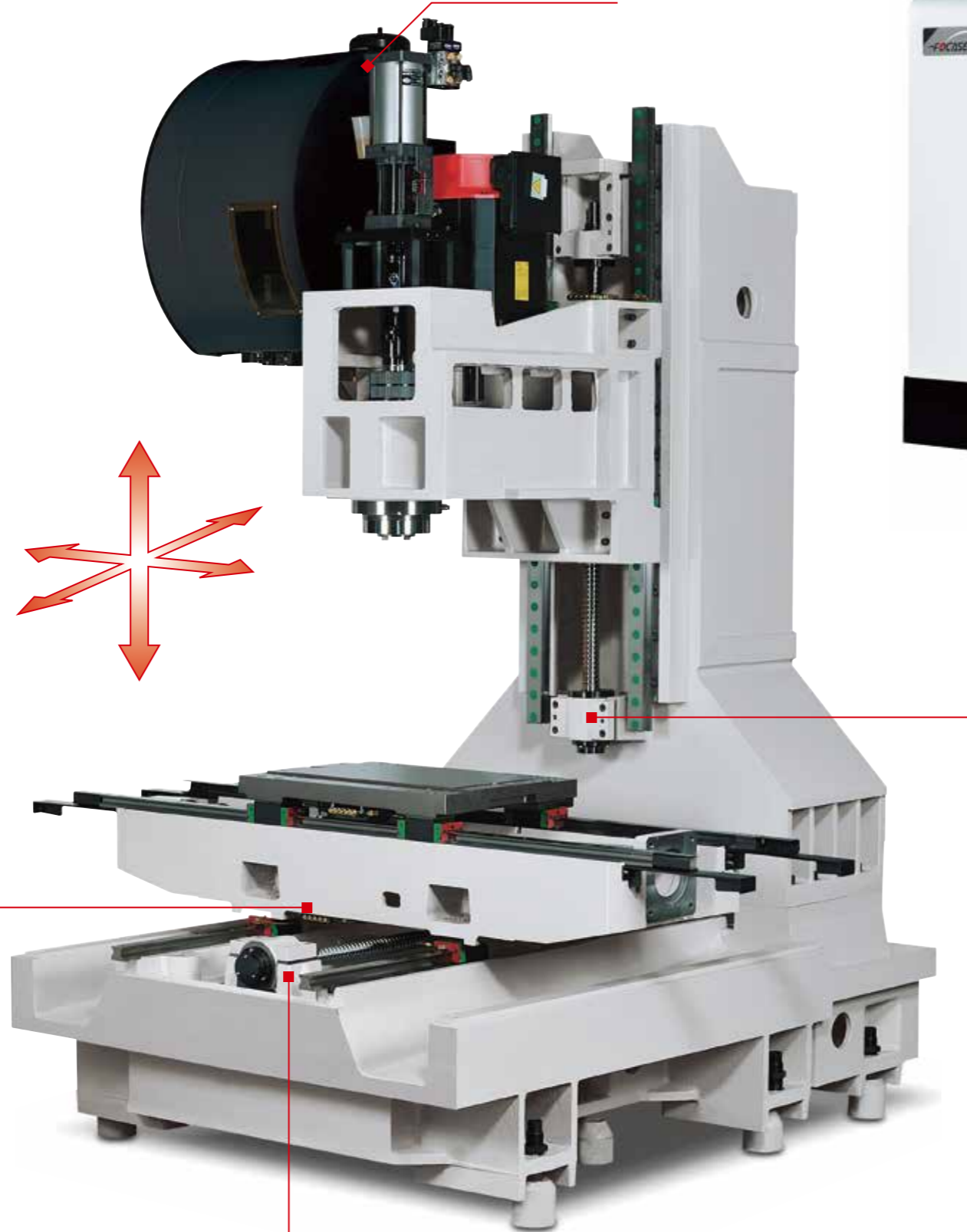
Reservoir  
Bottle For A.T.C.



3 Axis High Rigidity Design



Reservoir-Type  
Lubricator Bronze  
Tube Oil Circuit

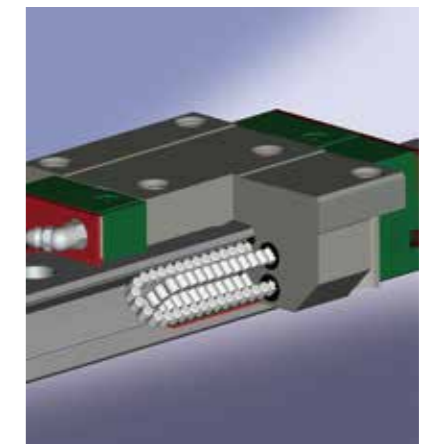


3 Axes Adopted Roller Type  
Linear Guideways

# Heavier Loading & Higher Precision

Roller Type Linear Guideways on X/Y/Z Axis

X/Y/Z Axes Equipped with  
7 Angular Ball Bearings to  
Reduce Thermal  
Deformation Impacts

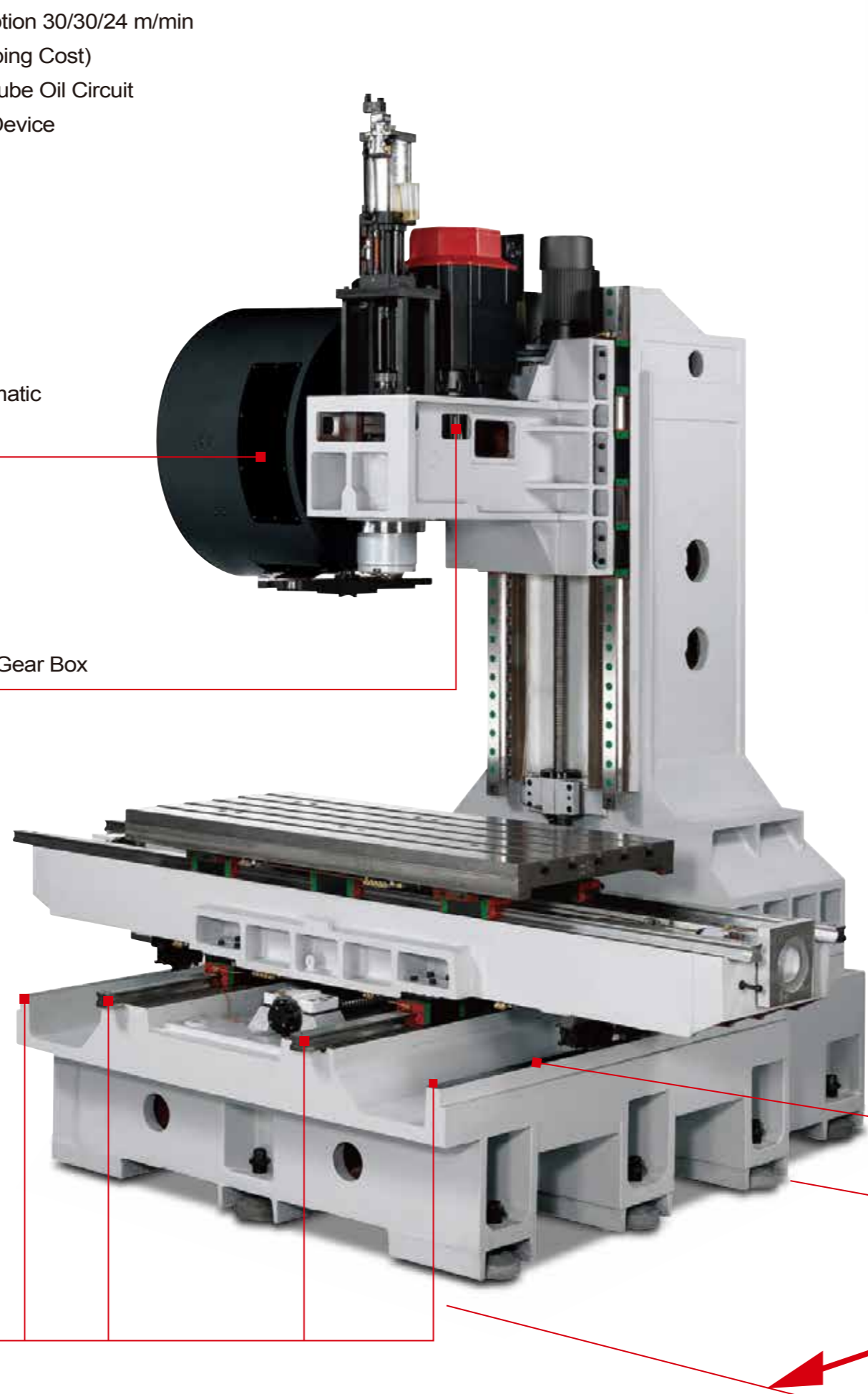


- 3 Axis Rapid Traverse 24 m/min, Option 30/30/24 m/min
- HQ-Container Packing (Lower Shipping Cost)
- Reservoir-Type Lubricator Bronze Tube Oil Circuit
- Direct Type Spindle Motor Cooling Device

Independent Pneumatic Reservoir For ATC

Option ISO-50, ZF Gear Box

Special Design For Y Axis Four Tracks & Roller Type Linear Guide



# Increased Precision & Stability

4 Roller Linear Guideways on Y Axis

Y Axis Travel 700mm For Large Workpiece Machining Options

700mm

- Low Speed High Torque Wide Range Spindle Motor
- Z Axis Used Servo Motor Brake System & Two Cylinders For Counter Balance For High Performance
- 2000 Models Use NSK Roller Type Slide Blocks On Y Axis For Increased Machine Stability & Precision
- Movable Control Panel For Easy Operation, Workpiece / Tool Adjustment

Large Diameter  $\varnothing$  63 mm C3 Ball Screw on X/Y/Z Axes

Spindle Transmission Options, Belt Type, Direct Type, Gear Type

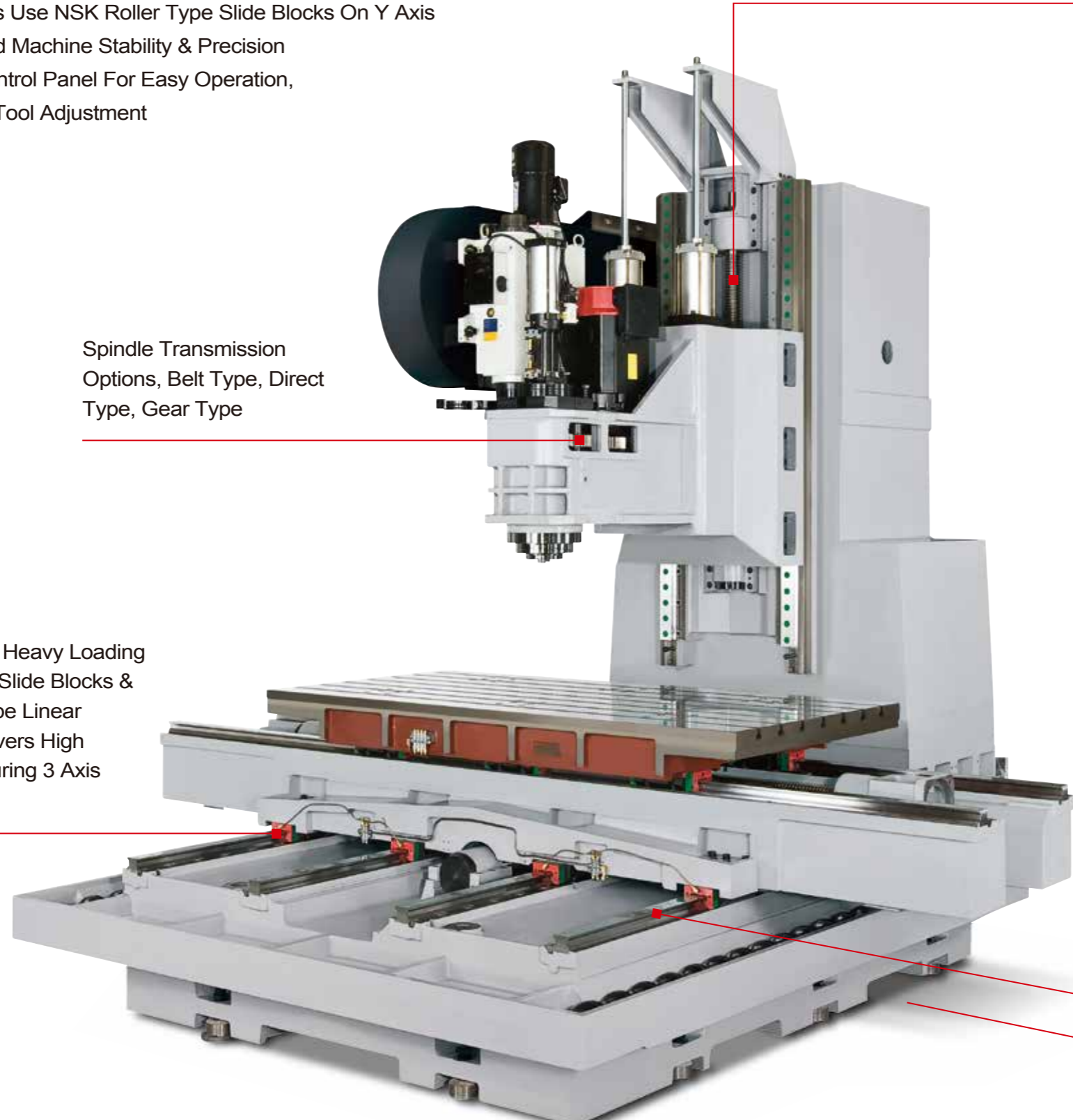
X/Y/Z Axes Use Heavy Loading 55mm 6 x 8 x 6 Slide Blocks & Cross Roller Type Linear Guideways Delivers High Performance During 3 Axis Movement



## Faster Cycle Times

X/Y/Z Axes Rapid Traverse 24/24/20 m/min

Extra Large Y Axis Travel 1000 mm For Large Workpiece Machining Options



1000mm

Material: NAK 80

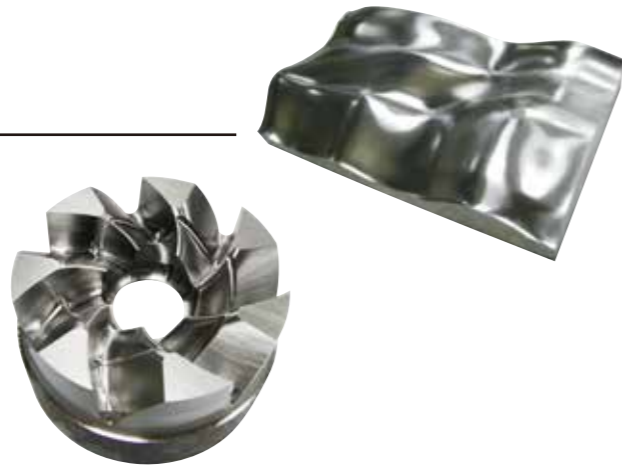
Machining Program: Fan Mold

Tool:  $\phi 10R2$ ,  $\phi 3R3$ ,  $\phi 4R3$

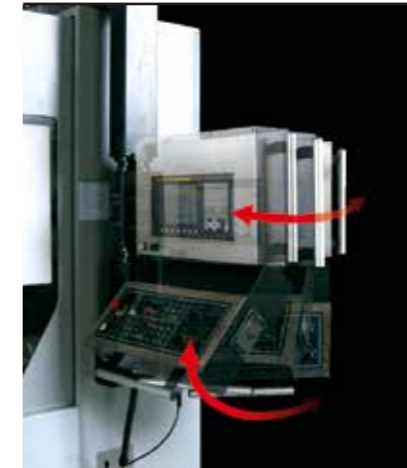
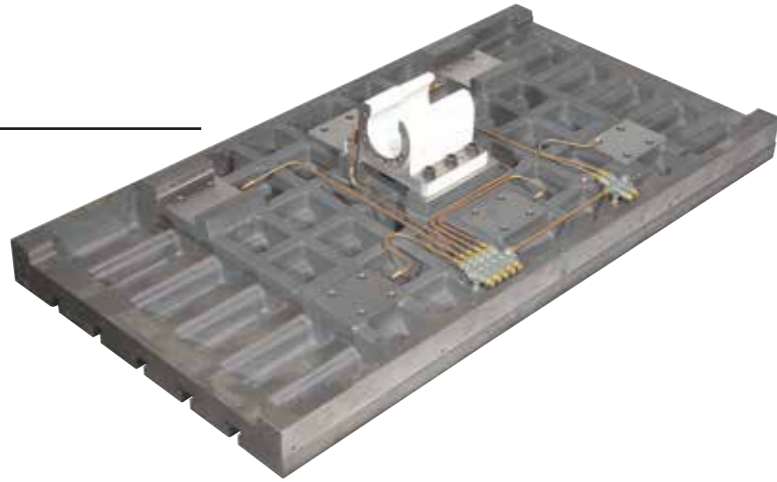
RPM: 4800, 9000, 15000

mm/min: F3000, F3000, F2500

Machining Time: 32, 38, 70 min



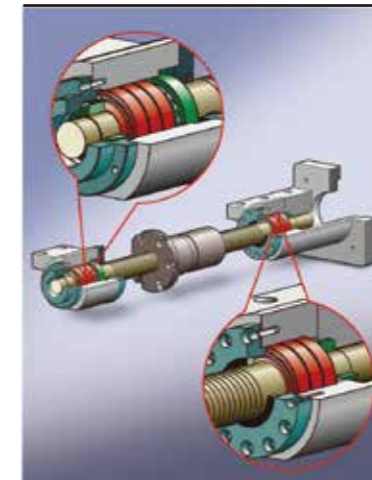
Reservoir Type Lubricator  
Bronze Tube Oil Circuit



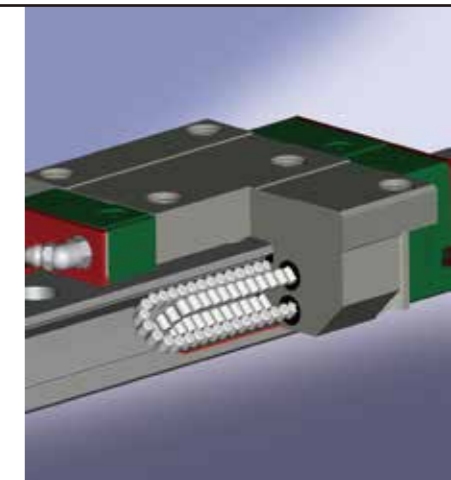
4 Way Swiveling Control Box



Direct Type Spindle Motor  
Cooling Device

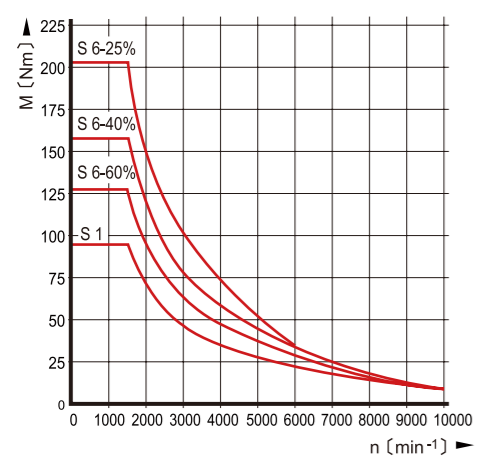


Enhanced Screw  
Pretension Design

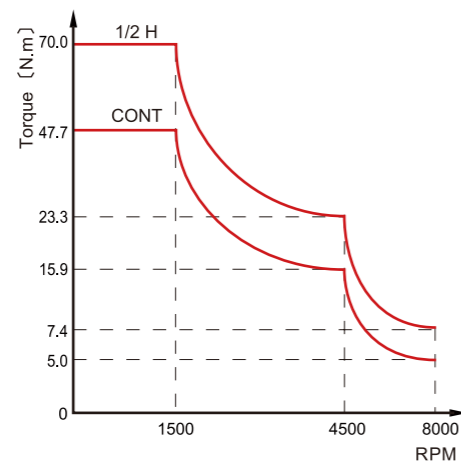


High Rigidity Roller Type Linear Guide

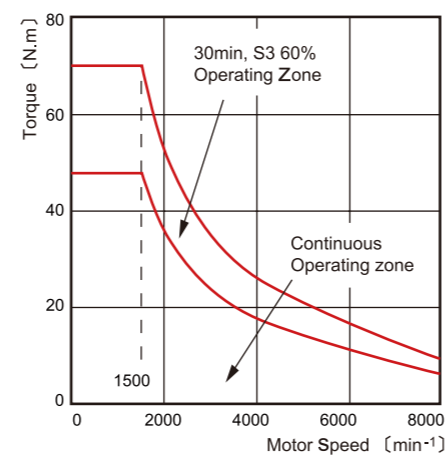
HEIDENHAIN QAN 260M Series  
Torque Characteristic Curve



MISTUBISHI SJ-V11 Series

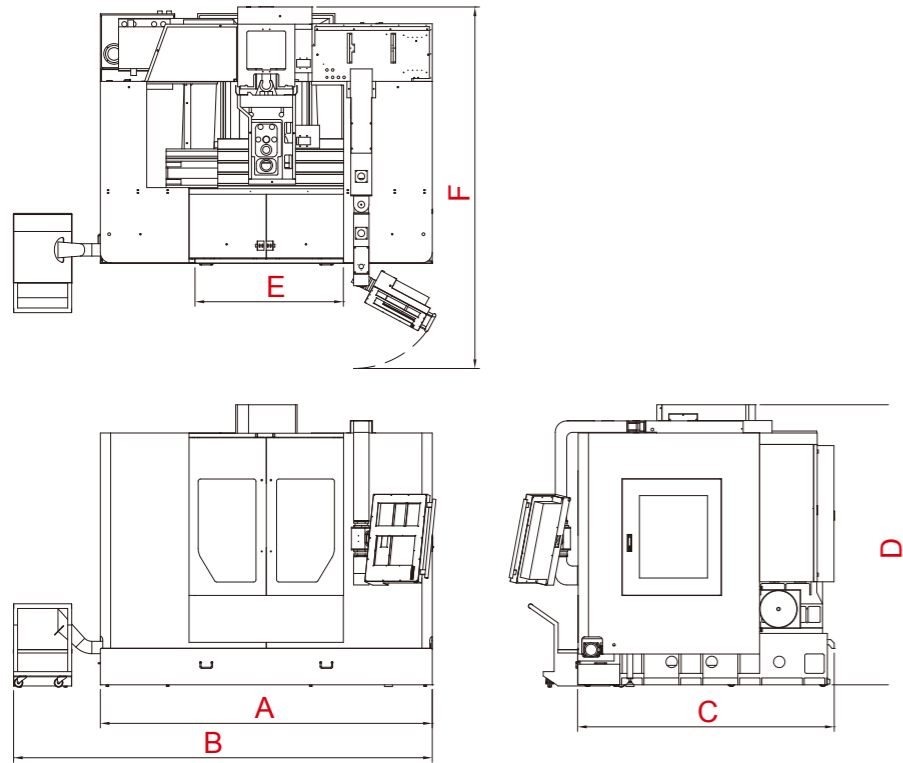


FANUC  $\alpha$  Series



- Ball Bar Test
- Laser Calibration
- Spindle Dynamic Balance

# VMC Series Specifications



Dimensions

	A	B	C	D	E	F
600	1900	2600	2410	Min 2150 Max 2800	760	3310
860	2200	2960	2640	Min 2360 Max 2910	860	3550
1100	2900	3660	2240	Min 2360 Max 2910	1230	3410
1160	2900	3660	2240	Min 2430 Max 3060	1190	3140
1250	3200	3960	2270	Min 2430 Max 3060	1380	3170
1400	3600	4360	2270	Min 2425 Max 3070	1530	3060
1600	3850	4650	3660	Min 2630 Max 3430	1660	4580
1800	4210	4970	3660	Min 2630 Max 3430	1840	4580
2000	4680	5440	3660	Min 2630 Max 3430	2040	4580

**Standard Accessories:**

- Arm Type Automatic Tool Changer (24 Tools)
- Fully Enclosed Guard
- Swiveling Control Box
- Work Light & Alarm Light
- Volumetric Type Automatic Lubricator
- Coolant & Chip Flushing System
- Auto Power Off
- Rigid Tapping
- Tool Box
- Leveling Screws & Blocks
- Operation Manual
- Mechanical Oil Coolant Separator
- Spindle Coolant Ring
- Chip Auger

**Optional Accessories:**

- Air Gun
- Coolant Gun
- Coolant Through Spindle (CTS)
- Transformer
- Chip Conveyor
- Linear Scale
- Auto Tool Length Measurement System
- Auto Workpiece Measurement System
- Air Conditioner

**Table**

<b>Table Size</b>	mm
<b>Working Area</b>	mm
<b>T-Slot</b>	mm
<b>Max Table Loading Capacity</b>	kgs

**Travel**

<b>X/Y/Z Axis Travel</b>	mm
<b>Spindle Nose To Table Surface</b>	mm

**Spindle**

<b>Spindle Taper</b>	rpm
<b>Spindle Speed</b>	
<b>Transmission Method</b>	kw
<b>Spindle Motor</b>	

**ATC**

<b>Magazine Capacity</b>	tools
<b>Tool Selection Method</b>	
<b>Max Diameter / W / O Adjacent</b>	mm
<b>Max Tool Weight / Length</b>	kgs/mm
<b>Tool Shank Specification</b>	
<b>Tool Change Time</b>	sec

**3 Axis Traverse**

<b>3 Axis Cutting Feedrate</b>	mm/min
<b>3 Axis Rapid Traverse</b>	m/min

**Drive Motors**

<b>Chip Auger Motor</b>	hp
<b>Chip Conveyor Motor</b>	hp
<b>Coolant Pump Motor</b>	hp
<b>Chip Flushing Pump Motor</b>	hp

**Coolant Tank**

<b>Coolant Tank Capacity</b>	ℓ
<b>Coolant Flow</b>	ℓ/min

**Others**

<b>Machine size (L x W x H)</b>	mm
<b>Net Weight / Gross Weight</b>	kgs

▪ Description in ( ) are optional accessories

	600	860	1100	1160	1250 (1350)	1400 (1500)	1600	1800	2000
<b>Table Size</b>	650 x 500	910 x 560	1100 x 560	1160 x 600	1350 x 600	1500 x 600	1700 x 1000	1900 x 1000	2100 x 1000
<b>Working Area</b>	610 x 500	860 x 600	1100 x 600	1100 x 600	1250 x 700	1400 x 700	1600 x 1000	1800 x 1000	2000 x 1000
<b>T-Slot</b>	18 x 5 x 100	18 x 5 x 100	18 x 5 x 100	18 x 5 x 100	18 x 5 x 100	18 x 5 x 100	18 x 7 x 125	18 x 7 x 125	18 x 7 x 125
<b>Max Table Loading Capacity</b>	300	800	900	1000	1200	1500	2200	2500	3000
<b>X/Y/Z Axis Travel</b>	610/500/500	860/600/600	1100/600/600	1100/600/600	1250 (1350)/700/600(640)	1400 (1500)/700/600(640)	1600/1000/800	1800/1000/800	2000/1000/800
<b>Spindle Nose To Table Surface</b>	90~590	120~720	120~720	120~720	120~720 (760)	120~720 (760)	200~1000	200~1000	200~1000
					ISO-50:80~680				
<b>Spindle Taper</b>	ISO-40	ISO-40 (ISO-50)					ISO-50 (ISO-40)		
<b>Spindle Speed</b>	10000 (12000, 15000)	8000 (10000, 12000, 15000)	(ISO50:6000,8000,10000)				6000 (8000, 10000)	(ISO40:8000,10000,12000,15000)	
<b>Transmission Method</b>	Belt (Direct)	Belt (Direct, ZF Gearbox)					Belt (Gear, Direct, ZF Gearbox)		
<b>Spindle Motor</b>	5.5/7.5 (7.5/11)	7.5/11 (11/15, 15/18.5)					15/18.5 (18.5/22)		
<b>Magazine Capacity</b>	24 (30)	24 (30, 36) (ISO50: 20,24)			24 (30, 40) (ISO50: 20, 24)		24(32,40) (ISO40: 24,30)		
<b>Tool Selection Method</b>	Random	Random					Random		
<b>Max Diameter / W / O Adjacent</b>	ø75 / ø150	ø75 / ø150					ø110 / ø200		
<b>Max Tool Weight / Length</b>	6 / 300	7 / 300 (ISO50: 15/350)					15/350 (ISO40: 7/300)		
<b>Tool Shank Specification</b>	ISO-40	ISO-40 (ISO-50)					ISO-50 (ISO-40)		
<b>Tool Change Time</b>	T-T 2.3; C-C 4.5	T-T 2.3; C-C 4.5 (T-T 1.8; C-C 3.8)					T-T 3.5; C-C 7		
<b>3 Axis Cutting Feedrate</b>	10000	12000					10000		
<b>3 Axis Rapid Traverse</b>	36/36/36	30/30/24 (36/36/30, 48/48/36)			24 (30/30/24)		20/20/15 (24/24/20)		
<b>Chip Auger Motor</b>	1/4	1/4					1/4		
<b>Chip Conveyor Motor</b>	1/4	1/4					1/4		
<b>Coolant Pump Motor</b>	3/4	3/4					3/4		
<b>Chip Flushing Pump Motor</b>	1/2 (3/4)	1/2 (3/4)					1/2 (3/4)		
<b>Coolant Tank Capacity</b>	300	350	400	400	400	400	600	700	750
<b>Coolant Flow</b>	200	200	200	200	200	200	200	200	200
<b>Machine size (L x W x H)</b>	2600 x 3360 x 2800	2960 x 3570 x 3110	3660 x 3160 x 3110	3660 x 3300 x 3080	3960 x 3400 x 3080	4360 x 3400 x 3080	4610 x 4750 x 3470	4970 x 4750 x 3470	5440 x 4750 x 3470
<b>Net Weight / Gross Weight</b>	4300/4500	6000/6600	6400/6900	7300/7800	7400/7900	8100/8700	17000/20000	18000/21000	20000/23000

▪ We reserve the right to modify the design and specification without notice in advance. Above specifications are for reference only. Correct specifications are based on actual machine.