

# Specifications



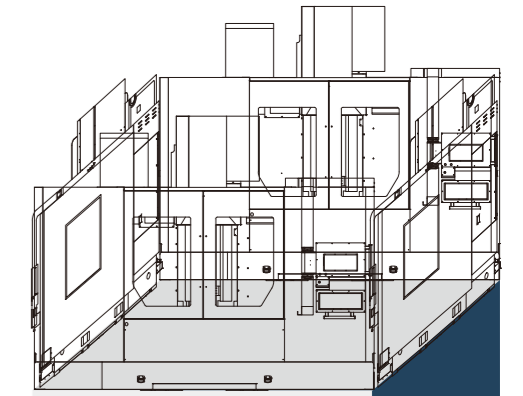
		1171	1371	1471	1590	1790	2090
<b>Table</b>							
Table Size	mm	1300X700	1500X700	1600X700	1700X850	2000X850	2200X850
T-Slot	mm	18x125x5	18x125x5	18x125x5	18x150x5	18x150x5	18x150x5
Max Table Load	kgs	1000	1200	1500	2000	2500	3000
<b>Travel</b>							
X/Y/Z Axis Travel	mm	1100/710/600	1300/710/600	1400/710/600	1500/900/850	1700/900/850	2000/900/850
Spindle Nose To Table Surface	mm	100~710	100~710	100~710	150~1000	150~1000	150~1000
<b>Spindle</b>							
Spindle Taper		ISO 50 (ISO 40 For Belt Type)			ISO 50		
Spindle Speed	rpm	6000 (8000) Low Speed 40~1750, High Speed 1751~8000					
Transmission Method		Gear ( Belt )					
Spindle Motor	kw	7.5/11 (11/15)			11/15 (15/18.5)		
<b>A.T.C</b>							
Magazine Capacity	tools				20 (24,32)		
Tool Selection Method					Random		
Max Tool Diameter/ W/O Adjacent	mm	ISO 40:Ø75/ Ø150			ISO 50:Ø100/Ø200		
Max Tool Weight / Length	kgs/mm	ISO 40:7/300			ISO50:15/350		
Tool Change Time	sec	ISO 40:T-T 2.5, C-C 5			ISO 50:T-T 3.5, C-C 7		
<b>3 Axis Traverse</b>							
3 Axis Cutting Feedrate	mm/min	10000			80000		
3 Axis Rapid Traverse	m/min	20/20/16			16/16/12		
<b>Coolant</b>							
Coolant Tank Capacity	ℓ	350			700		
Coolant Flow	hp	50			70		
<b>General</b>							
Air Pressure Requirement	kg/cm <sup>2</sup>	5~6			5~6		
Power Requirement	(KVA)	30			40		
Machine Size (L x W x H)	mm	3320x2865x2980	3560x2865x2980	3960x2865x2980	4020x3330x3250	4520x3330x3250	5070x3330x3250
Machine Weight	kgs	9000	10000	11000	14000	15000	16000

■ Description in ( ) are optional accessories.

■ We reserve the right to modify the design and specification without notice in advance.  
Above specifications are for reference only. Correct specifications are based on actual machine.



## HEAVY CUTTING Four Box Ways & Gear Head



### FOCUS SEIKI CORP

No.178, Guangqi Rd., Shengang Dist.,  
Taichung City 42948, Taiwan (R.O.C.)

Tel: +886-4-25612611

Fax: +886-4-25611613

E-mail: sales@focaseiki.com.tw

[www.focaseiki.com.tw](http://www.focaseiki.com.tw)



# Four Box Ways

## 4 Ways Swiveling Control Box



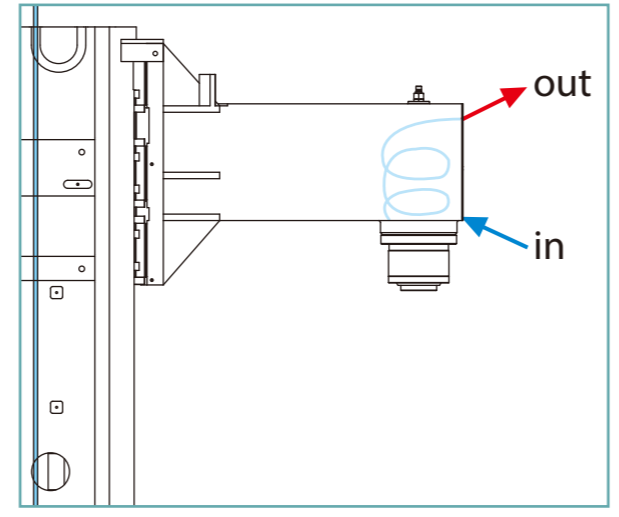
## Extra Loading & High Precision

- High Frequency Induction Treatment on Slide Ways, The Hardened Depth is 2 mm, The hardness is HRC 55.
- The Contact Sliding Surfaces are Coated with Turcite-B and Fine-Scraped

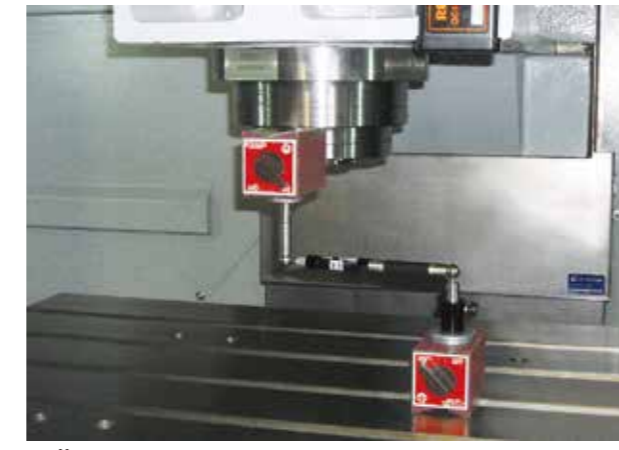


## Absolute Rigidity & Best Solution

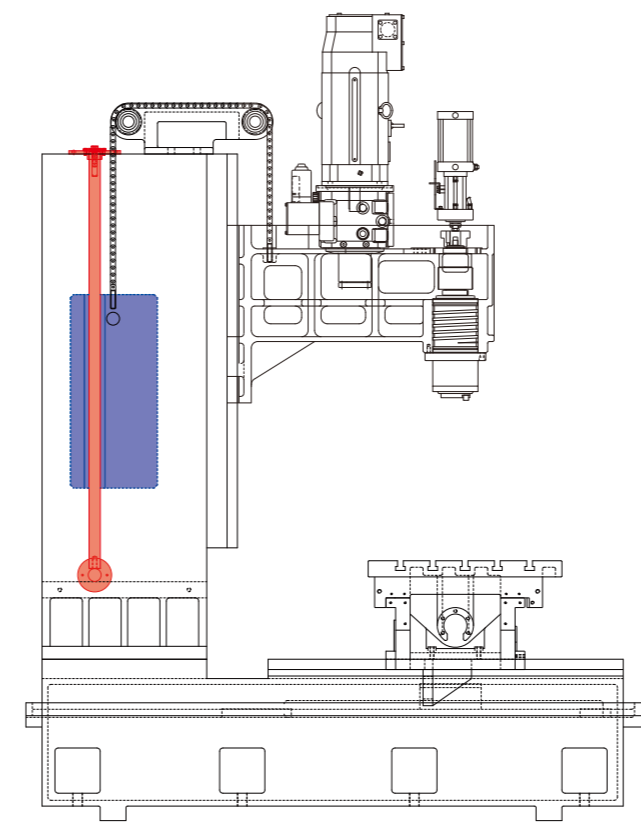
- Absolute Rigidity and to Keep Motion Control's The Machine Base With Four Slide Ways is The Best Technical Solution.



Cooling system with oil chiller



Ball Bar Inspection



- Spindle offers high torque from power milling to small radius interpolation. All of the cutting conditions you need.
- Exclusively designed counter weight balance system. The counter weight moves on a guide shaft to assure movement straightness accuracy.
- Cooling system with oil chiller.



Laser Inspection

Each Machine is Subject to Dynamic and Static Accuracy Test. According to VDI 3441, ISO 230, JIS B6338 Standard.

## Standard Accessories:

- Air Blast for Workpiece(Nose)
- Coolant Flushing System
- Full Splash Guard
- Auto Lubrication System
- Working Lamp
- Leveling Screws & Blocks
- Operation and Programming Manual
- Heat Exchanger
- Chip Auger

## Optional Accessories:

- Coolant Through Spindle (CTS)
- Air Conditioner
- Water Gun
- Air Gun
- 4<sup>th</sup> Axis Rotary Table
- Linear Scale
- Transformer
- Air Condition
- Chip Conveyor

MODEL	A	B	C	D	E	F
GM-1171	3320	2650	2865	2370~2980	1200	1200
GM-1371	3560	2650	2865	2370~2980	1200	1400
GM-1471	3960	2650	2865	2370~2980	1200	1500
GM-1590	4020	3115	3330	2400~3250	1200	1900
GM-1790	4520	3115	3330	2400~3250	1200	2100
GM-2090	5070	3115	3330	2400~3250	1200	2300

